

HAND CHAIN WHEEL

Made from pressed steel sheet with accurately shaped chain pocket for smooth running of hand chain.

WEIGHT

One of the lightest available block in the Indian Market. Handling can be

SPARES

Interchangeable spares are readily

HOOKS

Forged as per IS 8610-1977

GUARANTEE

One year from date of purchase on F.O.R. Kapadwanj basis, for free repair, replacement of any part

IMPROVEMENTS

In the interest of constant design improvements we reserve the right to change the design of the product without any notice

IS - 2062 ROLLED STEEL PLATE FRAME
(Robust Rigid Construction)

GRADE - 80 ALLOY STEEL CHAIN
(Longer Chain Life)

IS - 8610 DROP FORGED HOOKS
(Increased Safety)

MALLEABLE IRON CAST LOAD WHEEL
(Extended Working Life)

LOAD WHEEL MOUNTED ON BALL BEARINGS
(Increased Operating Efficiency)

ALLOY STEEL GEARS
(Extended Working Life)

PRESSED STEEL HAND CHAIN WHEEL
(Smooth Handchain Operation)

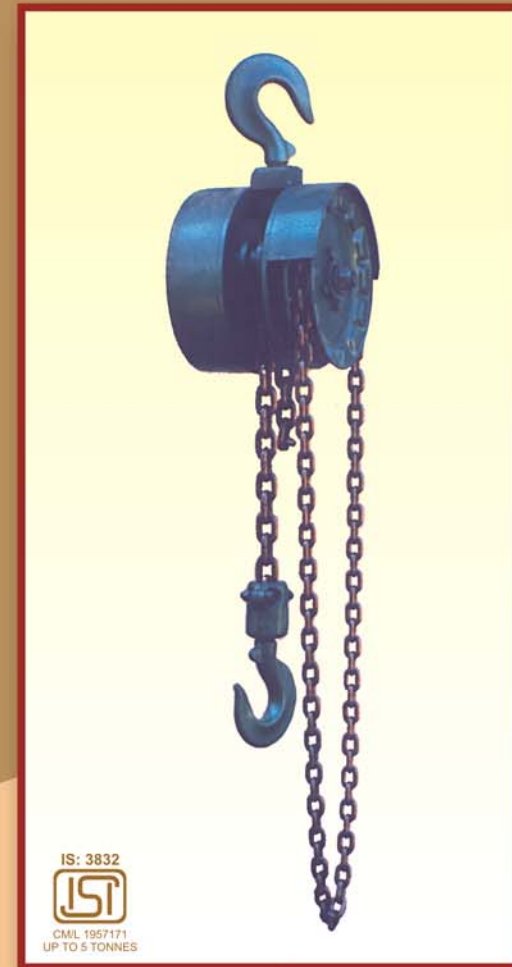
INTERCHANGEABLE SPARES
(Reduces Maintenance Time)

SCREW AND FRICTION DISC TYPE BRAKE
(Reduced Down Time)

LIGHTER IN WEIGHT
(Easy Handling)

AVAILABLE FROM 0.5 T. TO 40 T. CAPACITY
(Widest Selling Range)

TRIPLE SPUR GEAR CHAIN PULLEY BLOCKS



ANKER PRODUCTS

0.5 T to 40 T Chain Pulley Blocks.
0.5 T to 40 T Monorail Trolleys.
0.25 T to 15 T Motorised Chain Pulley Blocks.
0.25 T to 10 T Electric Chain Hoist.
0.25 T to 20 T Wire Rope Hoist.
H.O.T. / E.O.T./ Jib Cranes etc.
Flame Proof Hoists / Trolleys

MAX INDUSTRIES

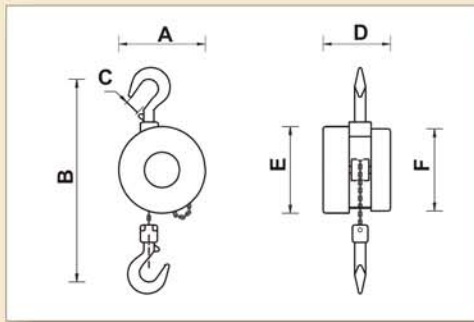
INDIA - 387 620 website : www.ankermax.com

Sold & Serviced by:

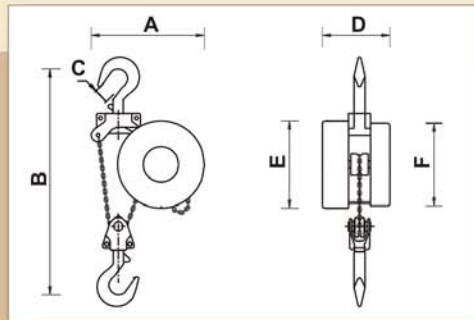
Each BLOCK is Tested to 50% OVERLOAD

MANUFACTURED AS PER IS 3832-1986

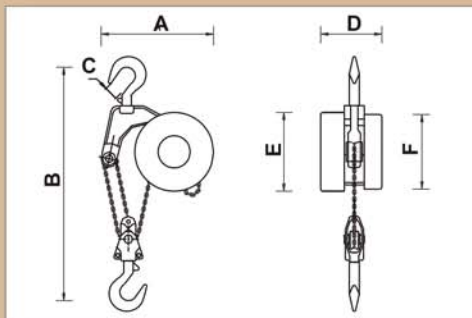
EACH BLOCK IS TESTED TO 50% OVER LOAD



Single Fall



Two Fall



Three Fall

Technical Specifications

Capacity	Lift (mts.)	No. of Falls	V. R.	Pull on hand chain kgs.	A	B	C	D	E	F	Wt at 3 M. Lift(kg)	Extra Wt per M(kg)
0.5 TONNE	3	1	71	10	204	470	25.0	173	204	195	20	2.7
1.0 TONNE	3	1	71	20	204	470	31.5	173	204	195	21	2.7
2.0 TONNE	3	2	142	21	238	540	37.5	173	204	195	29	4.1
3.0 TONNE	3	2	142	29	265	590	42.5	173	204	195	31	4.1
5.0 TONNE	3	3	213	34	295	672	53.0	173	204	195	47	5.5
7.5 TONNE	3	2	188	64	320	750	67.0	230	280	270	80	8.0

About Anker

Anker chain pulley blocks are designed for long & dependable services. Screw & Friction disk type brake ensures full safety at all positions while moving up or down. Four pockets malleable /S.G. iron cast load wheel, mounted on ball bearings & spur gear reduction reduces the pull on hand chain .You can choose the block as per your requirement from the dimensions &

FRAME

M.S.Rolled Steel plates

LOAD BRAKE

Self actuating screw & friction disc type load brake ensure full safety at any load position.

GEARS

Made from Special Alloy Steel, precision machine cut & case hardened.

BALL BEARING

To reduce friction & effort load chain wheel is mounted on two ball

LOAD CHAIN

Load Chain is of Grade-80 Alloy Steel Chain as per IS 6216 - 1982, Grade-40 Chain as per IS 3109 (part II) - 1982 is used for 0.5 Tonnes Chain Pulley Blocks.

LOAD CHAIN WHEEL

Made from Malleable/S.G. Iron Casting. Pockets are shaped perfectly to ensure smooth operation of load chain with minimum wear of load chain & load chain wheel pockets.